



ANCASTER
FOOD EQUIPMENT

MODEL TG2FRI-2S

REFURBISHED TRUE® STAINLESS STEEL MERCHANDISER

CABINET DIMENSIONS (IN):

W 68" x D 34 1/2" x H 83 3/4"

CRATED WEIGHT: N/A

SHELVES: NO SHELVING INCLUDED

Additional Options: Metro Racks

AMPS: 8.0 **HP:** 1 1/5

NEMA CONFIG. 14-20P

Please see 2nd Page for details

CORD LENGTH: 9FT

VOLTAGE: 115/208-230/60

TEMP RANGE: HOLDS -10°F

or -23.3°C

CERTIFICATION: NSF-7

ENERGY STAR RATED



CONTACT US FOR MORE DETAILS:

TOLL FREE 1-855-888-9644

WWW.ANCASTERFOODEQUIPMENT.COM

SALES@ANCASTERFOODEQUIPMENT.COM

FINANCING & LEASING OPTIONS AVAILABLE, ASK FOR DETAILS!



IMPORTANT ELECTRICAL INFORMATION

Thank you for choosing to purchase your Refurbished TRUE Self-Contained Freezer from ANCASTER FOOD EQUIPMENT. It is our sincere desire that you receive many years of trouble free service from your TRUE Freezer. We are providing you with this IMPORTANT INFORMATION to assure that the freezer is connected to the electrical service properly at your location. Your Freezer has a L14-20P plug that must be connected to a properly installed and wired L14-20R receptacle. Refer to the drawing below that details these devices.

We recommend that you have a licensed electrician verify that your power receptacle is the correct one and that it is properly wired. If the devices or connections are connected incorrectly the freezer will be damaged and any warranty will be voided.

G - Ground
W - Neutral
X - 110 VAC
Y - 110 VAC

Receptacle



L 14 - 20 R

Plug



L 14 - 20 P

Meter Readings when Power is ON

$$X-Y = 220VAC$$

$$X-W = 110VAC$$

$$X-G = 110VAC$$

$$Y-X = 220VAC$$

$$Y-G = 110VAC$$

$$Y-W = 110VAC$$

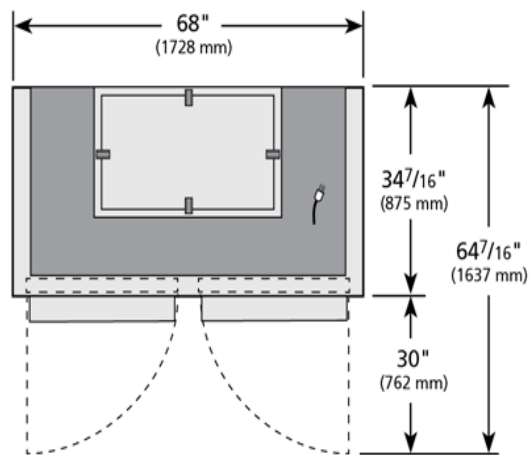
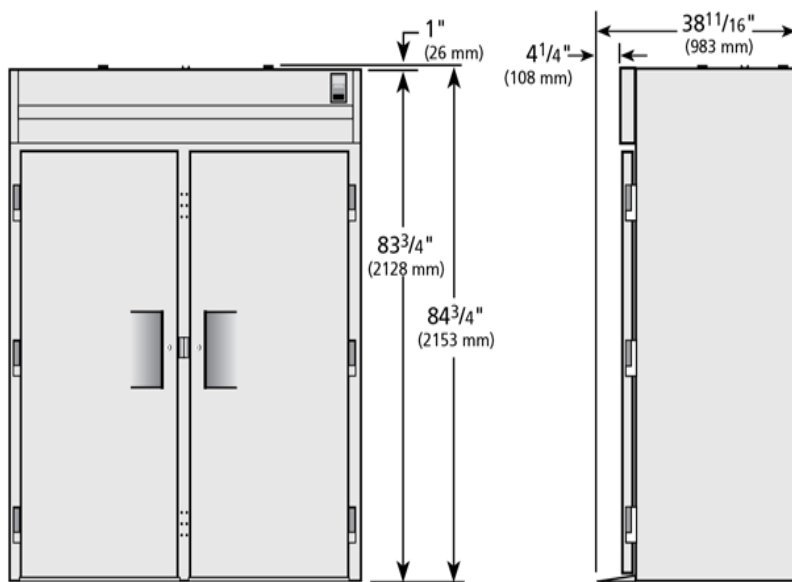
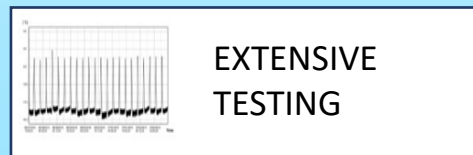
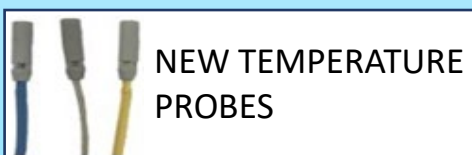
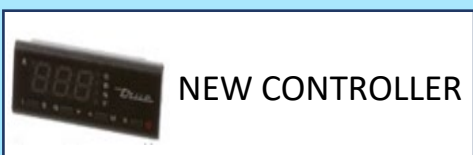
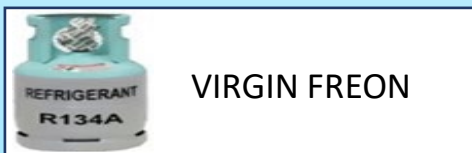
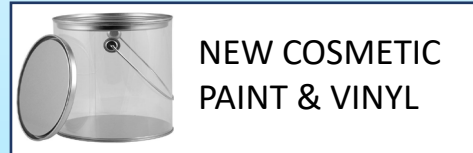
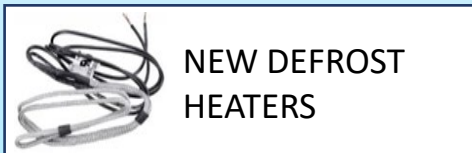
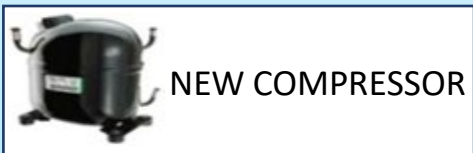
$$G-W = 0VAC$$



ANCASTER
FOOD EQUIPMENT

MODEL TG2FRI-2S

REFURBISHED TRUE® GLASS DOOR MERCHANDISER



CONTACT US FOR MORE DETAILS:

TOLL FREE 1-855-888-9644

WWW.ANCASTERFOODEQUIPMENT.COM

SALES@ANCASTERFOODEQUIPMENT.COM



FINANCING & LEASING OPTIONS AVAILABLE, ASK FOR DETAILS!

