

Model

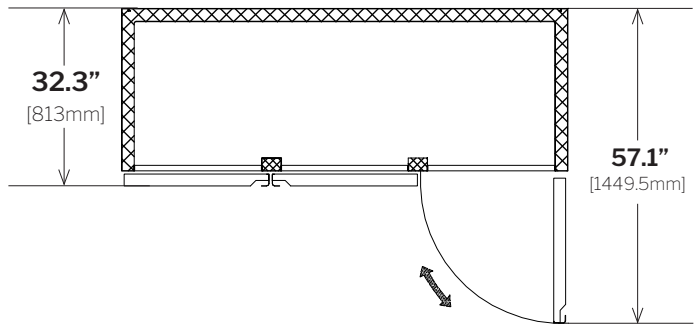
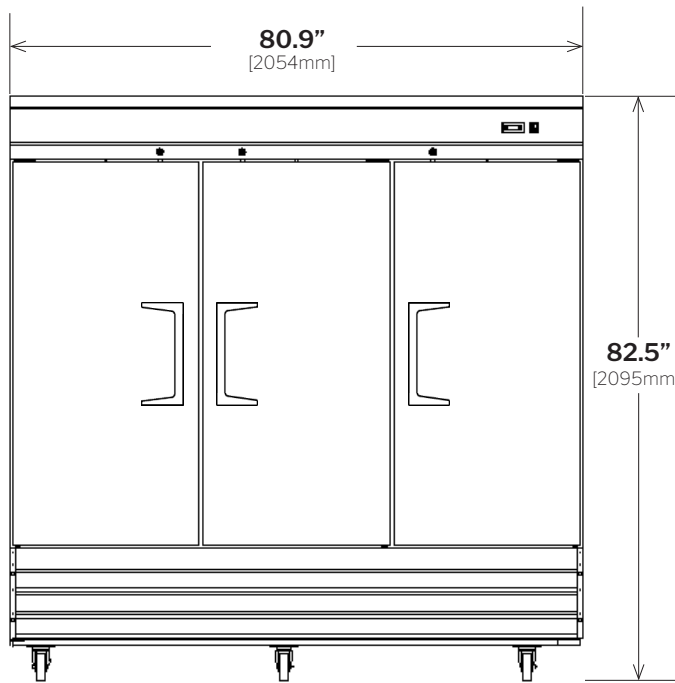
iBC-RR3

80.9" Triple Door Reach-In Refrigerator with a Stainless Steel Exterior



Key Features

- Exterior Dimensions: 80.9" x 32.3" x 82.5"
- 3 doors
- 9 shelves
- Self-closing door with a 90° stay-open feature
- Temperature range of 0.5° to 5° Celsius (33° to 41° Fahrenheit)
- 4 casters; 2 locking and 2 swivel
- 72 cubic feet of storage
- Bottom mounted refrigeration
- Digital temperature controller
- Environmentally-friendly R290 refrigerant
- Two year warranty on parts and labour. Five year warranty on the compressor parts.



Model	Refrigerant	Electrical	HP	NEMA Config.	Net Weight	Ship Weight	Shipping Dimensions
iBC-RR3	R290	115 v / 60 hz / 9 a / 1 ph	3/4	5-15P	615 lb	694 lb	86" x 37" x 91"



Natural Resources
Canada Approved



ETL Electrical Listed
USA & Canada



ETL Sanitation
Listed



Environmentally-friendly
R290 Refrigerant

Due to our ongoing dedication to product improvement, all specifications are subject to change without notice.

