



ANCASTER
FOOD EQUIPMENT

MODEL GDM-23F

REFURBISHED TRUE® GLASS DOOR MERCHANDISER

CABINET DIMENSIONS (IN):

W 27 x D 29^{7/8} x H 78^{5/8}

CRATED WEIGHT: 430 LBS

SHELVES: 3 adjustable + the bottom

AMPS: 13.0 HP: 3/4

NEMA CONFIG. 5-20P



CORD LENGTH: 9FT

VOLTAGE: 115/60/1

**TEMP RANGE: HOLDS -10°F
or -23.3°C**

CERTIFICATION: NSF-7

ENERGY STAR RATED



CONTACT US FOR MORE DETAILS:

TOLL FREE 1-855-888-9644

WWW.ANCASTERFOODEQUIPMENT.COM

SALES@ANCASTERFOODEQUIPMENT.COM



ON THE

PARTS & SERVICE

FINANCING & LEASING OPTIONS AVAILABLE, ASK FOR DETAILS!



ON THE

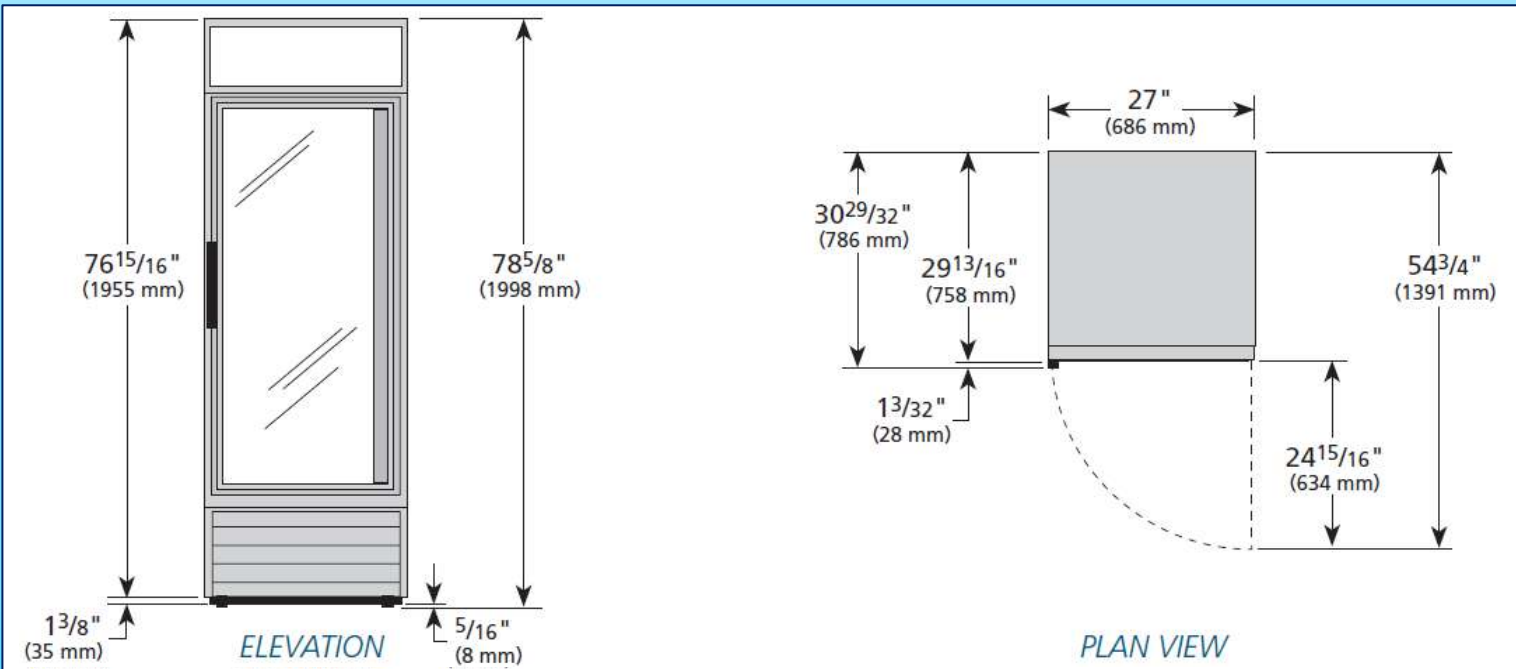
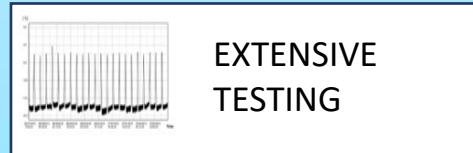
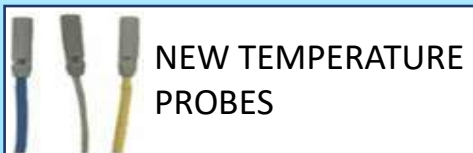
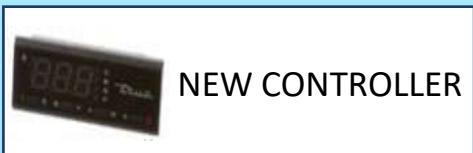
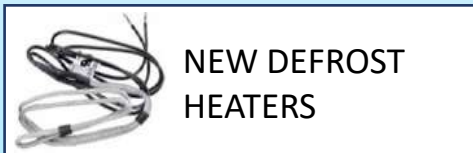
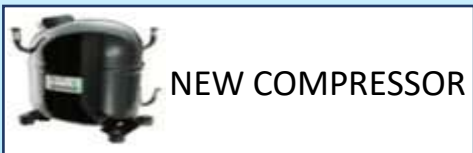
COMPRESSOR



ANCASTER
FOOD EQUIPMENT

MODEL GDM-23F

REFURBISHED TRUE® GLASS DOOR MERCHANDISER



CONTACT US FOR MORE DETAILS:

TOLL FREE 1-855-888-9644

WWW.ANCASTERFOODEQUIPMENT.COM

SALES@ANCASTERFOODEQUIPMENT.COM



ON THE PARTS & SERVICE COMPRESSOR FINANCING & LEASING OPTIONS AVAILABLE, ASK FOR DETAILS!