



ANCASTER
FOOD EQUIPMENT

MODEL GDM-26F

REFURBISHED TRUE® GLASS DOOR MERCHANDISER

CABINET DIMENSIONS (IN):

W 30 x D 29⁷/₈ x H 78⁵/₈

CRATED WEIGHT: 460 LBS

SHELVES: 3 Adjustable + BOTTOM

AMPS: 13.0 HP: 3/4

NEMA CONFIG. 5-20P



CORD LENGTH: 9FT

VOLTAGE: 115/60/1

**TEMP RANGE: HOLDS -10°F
or -23.3°C**

CERTIFICATION: NSF-7

ENERGY STAR RATED



CONTACT US FOR MORE DETAILS:

TOLL FREE 1-855-888-9644

WWW.ANCASTERFOODEQUIPMENT.COM

SALES@ANCASTERFOODEQUIPMENT.COM



ON THE

PARTS & SERVICE

FINANCING & LEASING OPTIONS AVAILABLE, ASK FOR DETAILS!



ON THE

COMPRESSOR



ANCASTER
FOOD EQUIPMENT

MODEL GDM-26F

REFURBISHED TRUE® GLASS DOOR MERCHANDISER



NEW COMPRESSOR



NEW DEFROST
HEATERS



NEW COSMETIC
PAINT & VINYL



NEW SOLENOID
VALVE &
DRIER FILTER



VIRGIN FREON



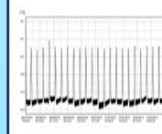
NEW LED LIGHTS



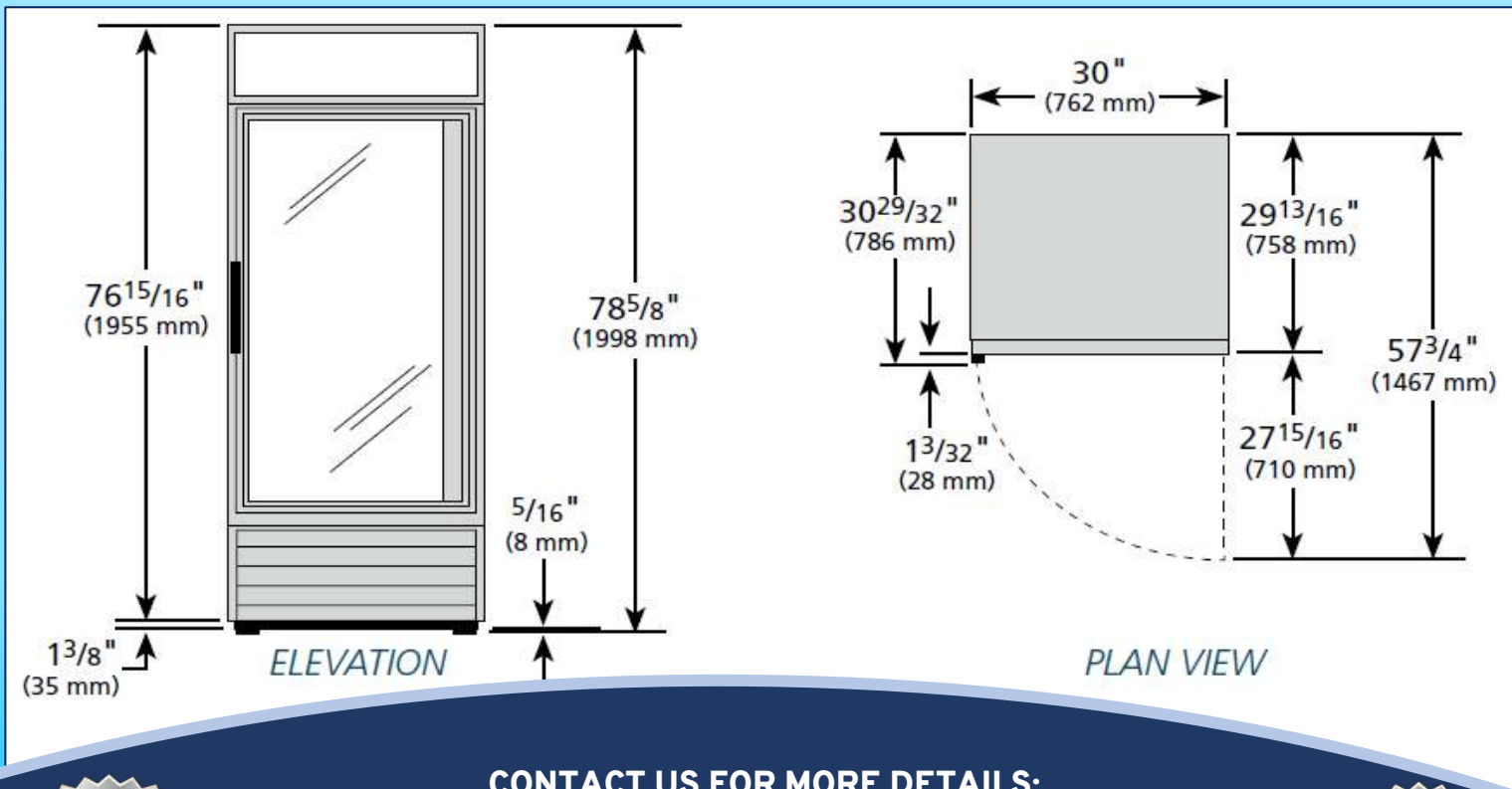
NEW CONTROLLER



NEW TEMPERATURE
PROBES



EXTENSIVE
TESTING



CONTACT US FOR MORE DETAILS:

TOLL FREE 1-855-888-9644

WWW.ANCASTERFOODEQUIPMENT.COM

SALES@ANCASTERFOODEQUIPMENT.COM



ON THE
PARTS & SERVICE



ON THE
COMPRESSOR

FINANCING & LEASING OPTIONS AVAILABLE, ASK FOR DETAILS!